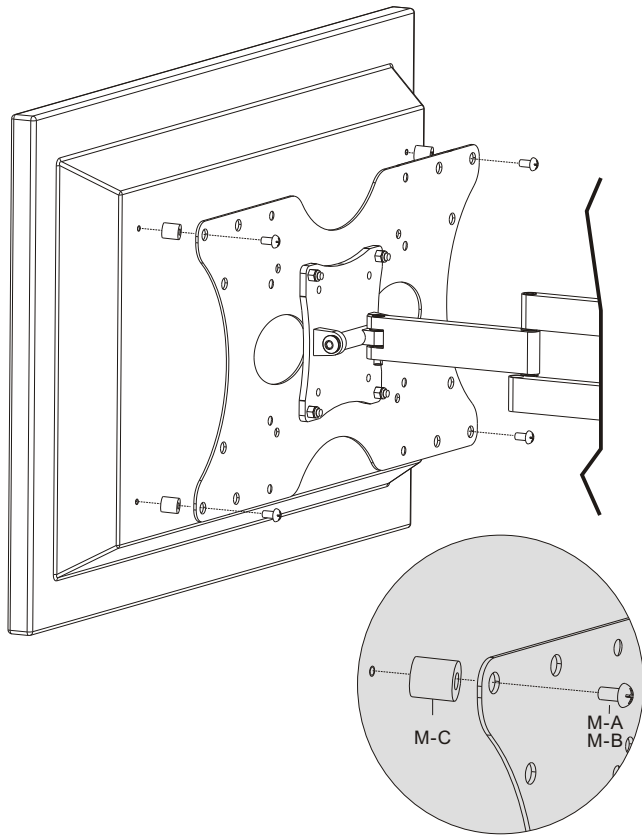


3. Installing the TV



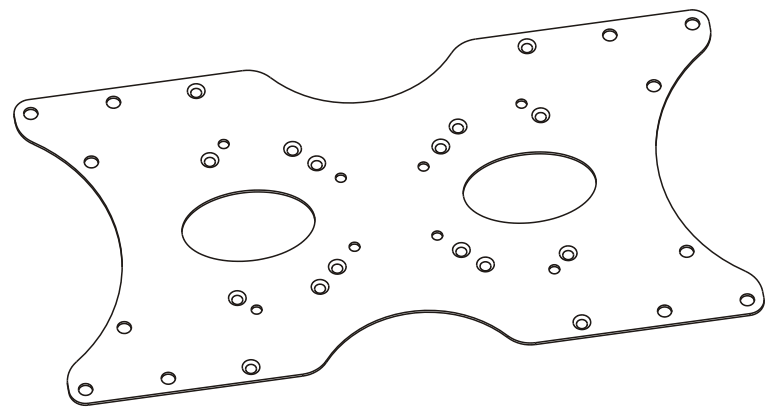
Note: Choose the appropriate screws, washers and spacers (if necessary) according to the type of screen. Lift the TV and match the holes on your TV with the holes on the mount. Secure your TV to the mount by tightening screws.

Tighten all screws but do not over tighten.

Maintenance

- Check that the bracket is secure and safe to use at regular intervals(at least every three months).
- Please contact your distributor if you have any questions.

VESA Adapter



CAUTION: DO NOT EXCEED RATED LISTED WEIGHT. SERIOUS INJURY OR PROPERTY DAMAGE MAY OCCUR!

AS201D	 200x100/200x200 400x200	 55" MAX	 30kg (66lbs) RATED
---------------	------------------------------------------------------------------------------------------------------------------	---------------------------------------------------------------------------------------------------------	-----------------------------------------------------------------------------------------------------------------------

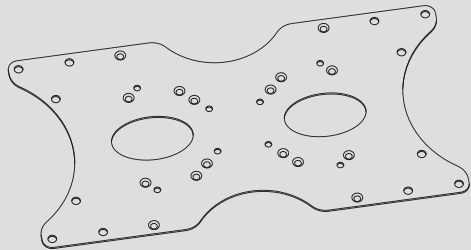
NOTE: Read the entire instruction manual before you start installation and assembly.

WARNING

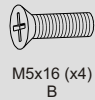
- Do not begin the installation until you have read and understood all the instructions and warnings contained in this installation sheet. If you have any questions regarding any of the instructions or warnings, please contact your local distributor.
- This mounting bracket was designed to be installed and utilised **ONLY** as specified in this manual. Improper installation of this product may cause damage or serious injury.
- Tighten screws firmly, but do not over tighten. Over tightening can cause damage to the items, This greatly reduces their holding power.
- This product is intended for indoor use only. Using this product outdoors could lead to product failure and personal injury.

Component Checklist

IMPORTANT: Ensure that you have received all parts according to the component checklist prior to installation. If any parts are missing or faulty, telephone your local distributor for a replacement.



adapter plate (x1)
A



M5x16 (x4)
B



M5 nut (x4)
C

Package M



M6x30 (x4)
M-A

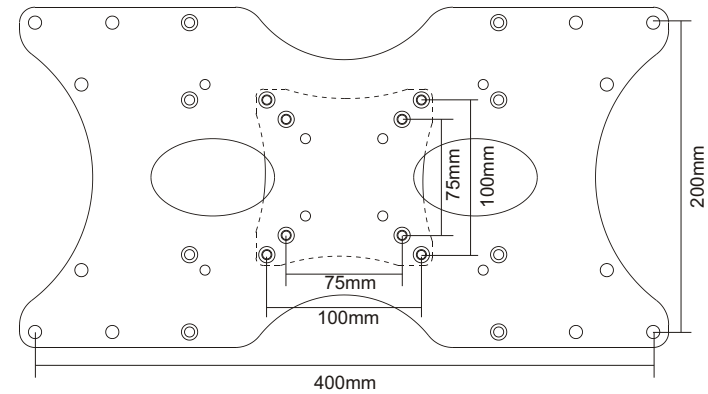


M8x30 (x4)
M-B

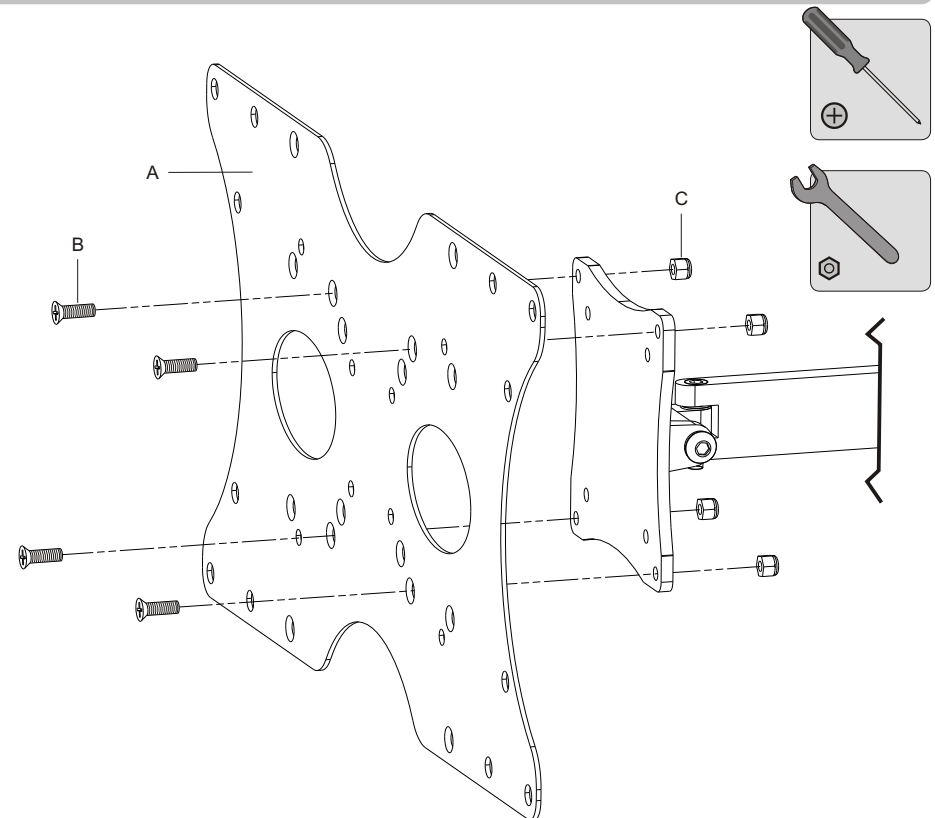


big spacer (x4)
M-C

1. Attaching the Adapters Plate to the Mounted Head



The adapter plate is only compatible with VESA 75x75/100x100/200x100/200x200 mounted head.



Attach the adapter plate to the mounted head using appropriate screws and nuts so that the hole pattern can be expanded to Max VESA 400x200.