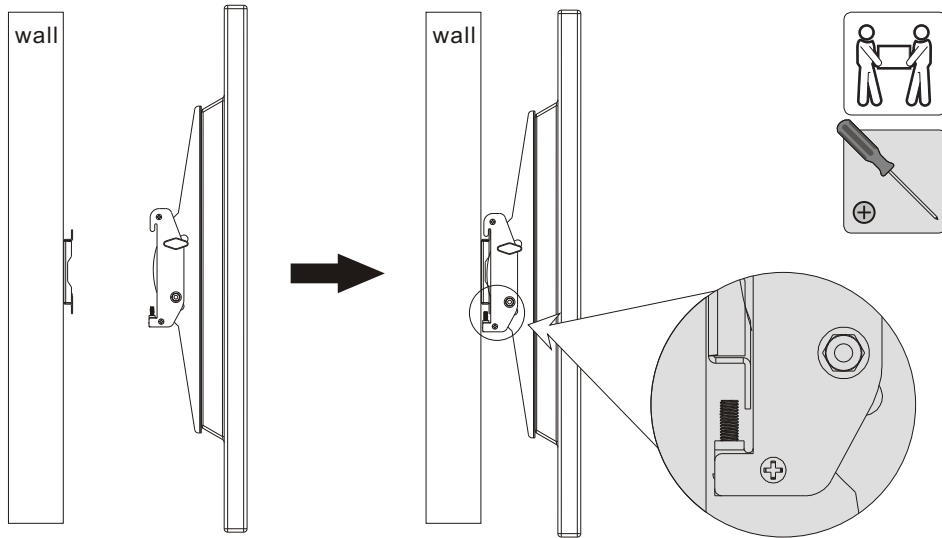


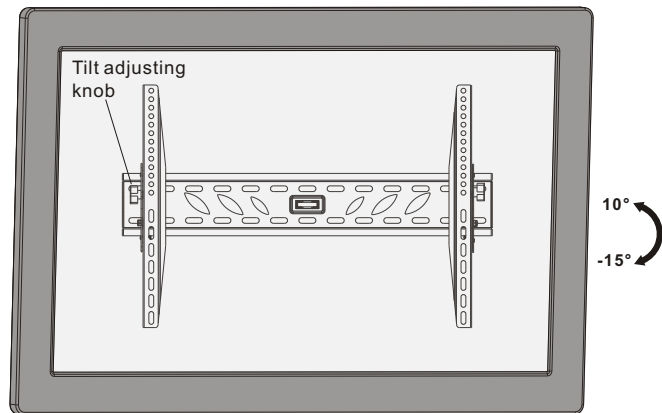


### 3. Hanging the TV onto the Wall Plate



Tighten the two bolts by using a proper phillips screwdriver to secure the adapter brackets to the wall plate.

### 4. Adjustment

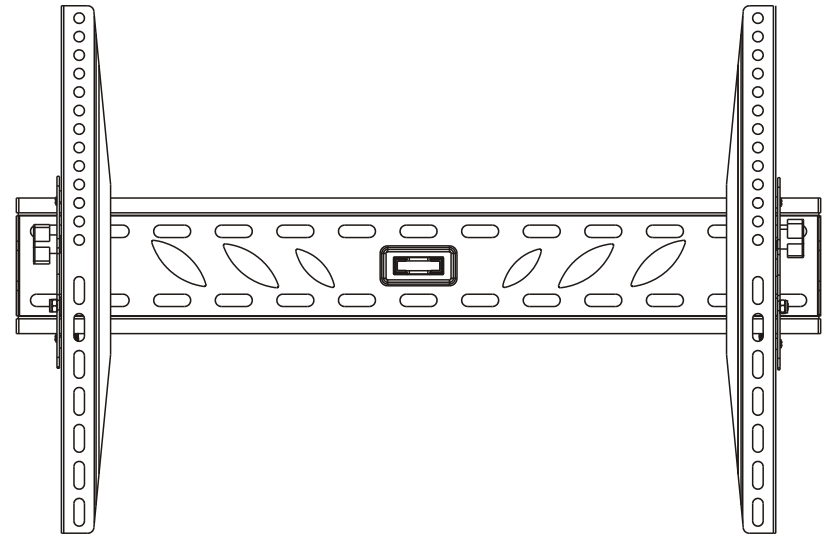


Loosen the adjusting knobs to tilt the TV to obtain desired angle then tighten them.

#### Maintenance

- Check that the bracket is secure and safe to use at regular intervals(at least every three months).
- Please contact your distributor if you have any questions.

# Tilting Wall Mount



**CAUTION:** DO NOT EXCEED RATED LISTED WEIGHT. SERIOUS INJURY OR PROPERTY DAMAGE MAY OCCUR!

**AS0946T**



200x200/300x300  
400x200/400x400  
600x400



ISSUED: APR.2013

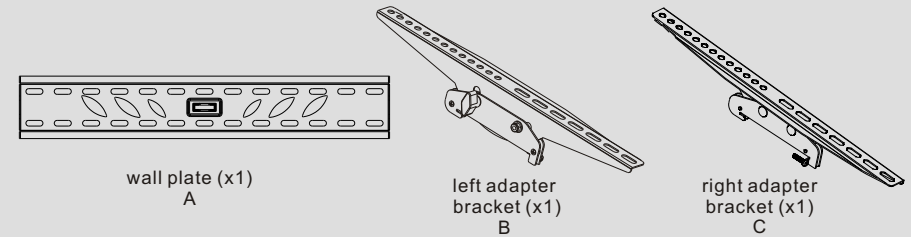
**NOTE:** Read the entire instruction manual before you start installation and assembly.

## WARNING

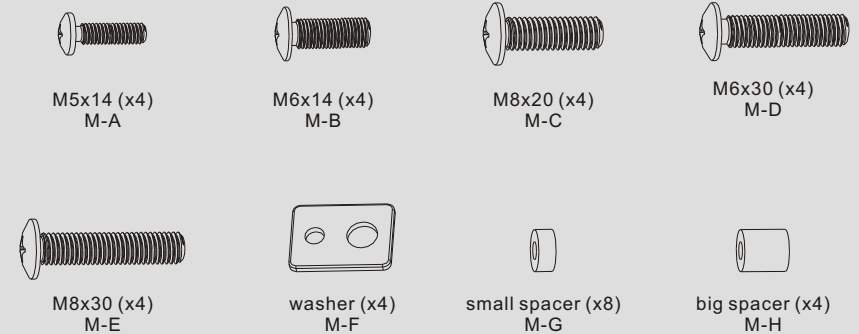
- Do not begin the installation until you have read and understood all the instructions and warnings contained in this installation sheet. If you have any questions regarding any of the instructions or warnings, please contact your local distributor.
- This mounting bracket was designed to be installed and utilised **ONLY** as specified in this manual. Improper installation of this product may cause damage or serious injury.
- This product should only be installed by someone with good mechanical ability who has basic building experience and fully understands this manual.
- Make sure that the supporting surface will safely support the combined weight of the equipment and all attached hardware and components.
- If mounting to wood wall studs, make sure that mounting screws are anchored into the center of the studs. The use of a stud finder is highly recommended.
- Always use an assistant or mechanical lifting equipment to safely lift and position the equipment.
- Tighten screws firmly, but do not over tighten. Over tightening can cause damage to the items, This greatly reduces their holding power.
- This product is intended for indoor use only. Using this product outdoors could lead to product failure and personal injury.

## Component Checklist

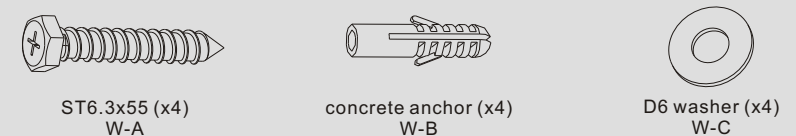
**IMPORTANT:** Ensure that you have received all parts according to the component checklist prior to installation. If any parts are missing or faulty, telephone your local distributor for a replacement.



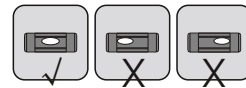
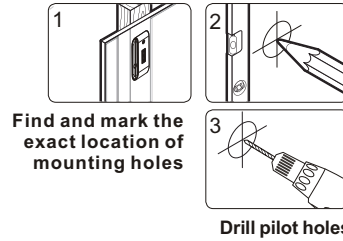
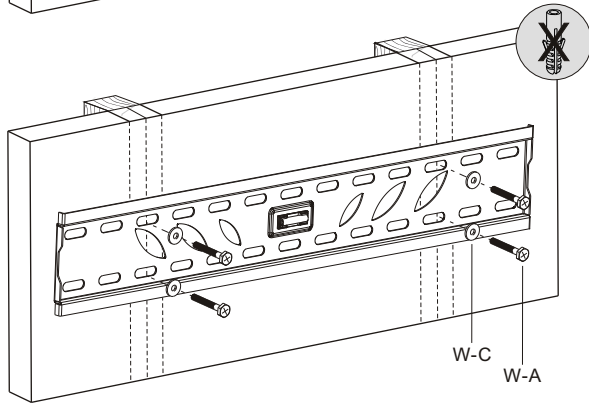
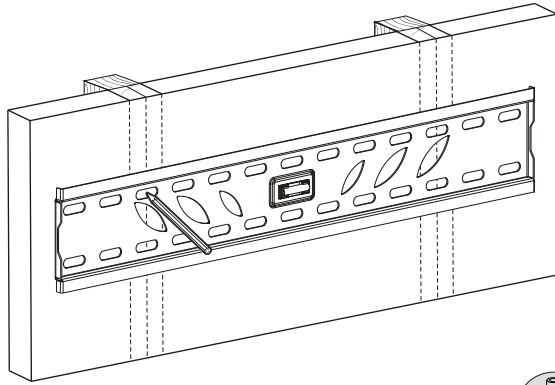
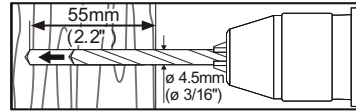
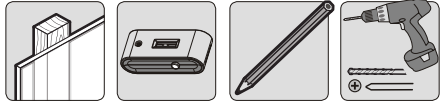
### Package M



### Package W



## 1a. For Wood Stud Wall Mounting

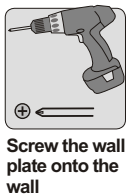
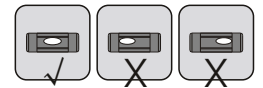
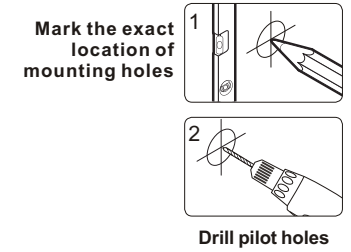
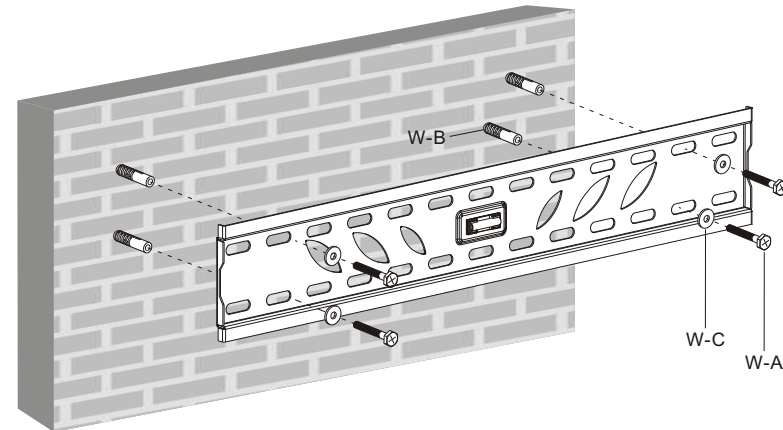
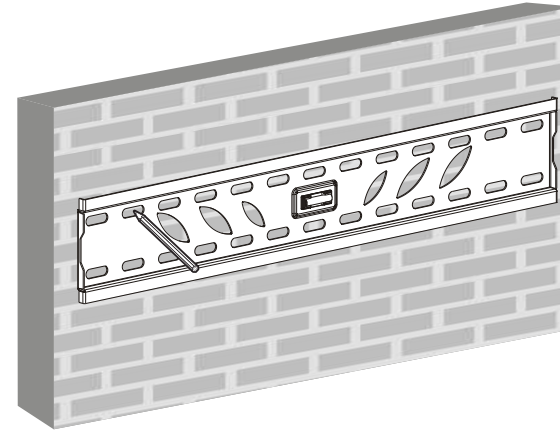
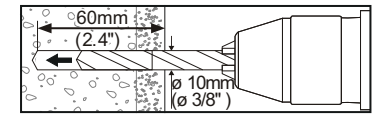
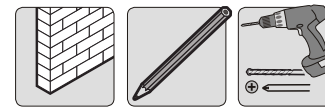


Model	Stud 406mm (16")	450mm (17.7")	600mm (23.6")	610mm (24")
AS0946T	✓	✓	✓	✓

### ! WARNING

- Make sure that mounting screws are anchored into the center of the studs. The use of a stud finder is highly recommended.
- Installers are responsible to provide hardware for other types of mounting situations.
- Installers must verify that the supporting surface will safely support the combined weight of the equipment and all attached hardware and components.

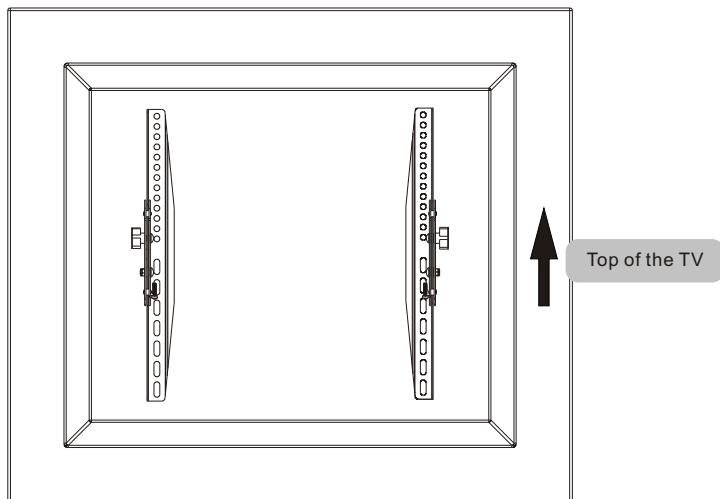
## 1b. For Solid Brick and Concrete Mounting



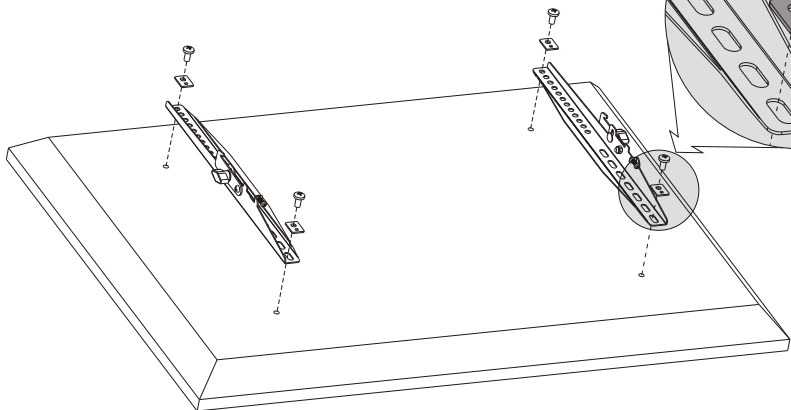
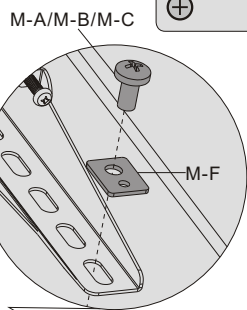
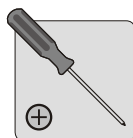
### ! WARNING

- Installers must verify that the supporting surface will safely support the combined weight of the equipment and all attached hardware and components.

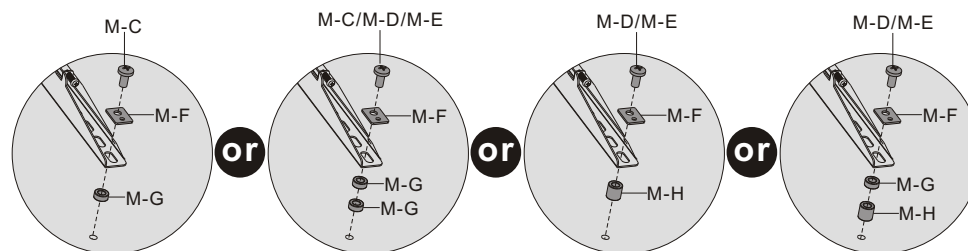
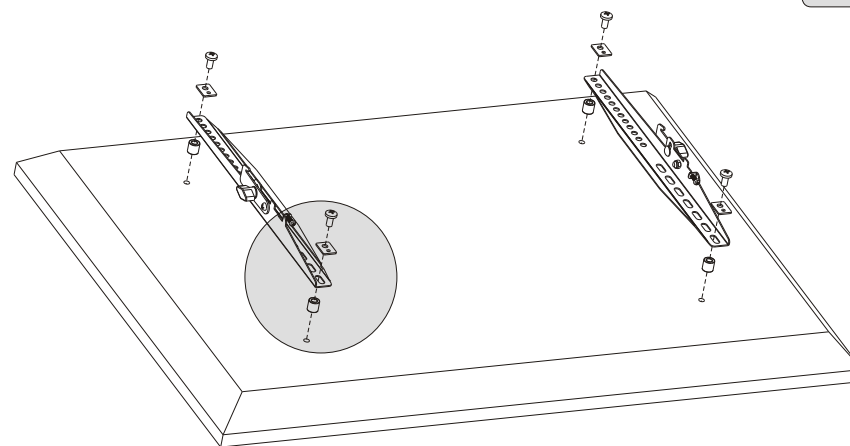
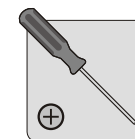
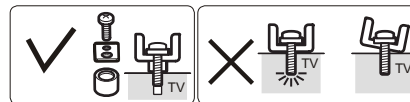
## 2. Installing the Adapter Brackets



### 2-1. For Flat Back Screens



### 2-2 For Recessed Back Screens or to Access A/V Inputs



**Note:** Choose the appropriate screws, washers and spacers (if necessary) according to the type of screen.

- Position the adapter brackets as close as possible to the center of the TV.
- Screw the adapter brackets onto the TV.

**⚠ Tighten all screws but do not over tighten.**